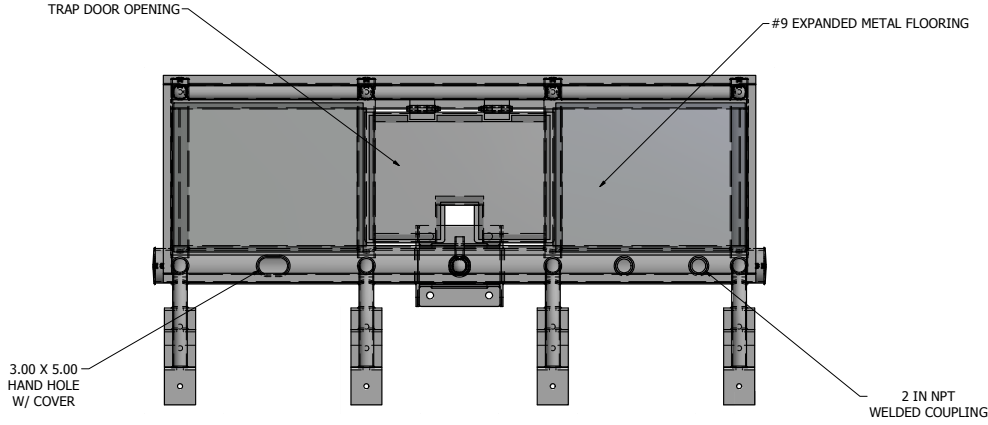
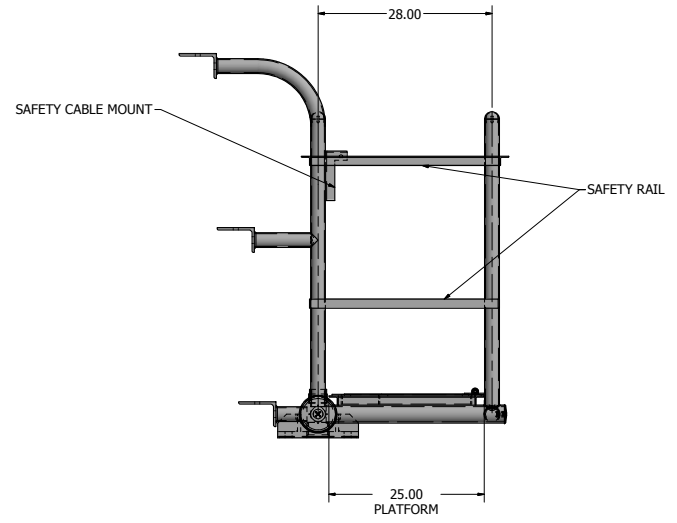
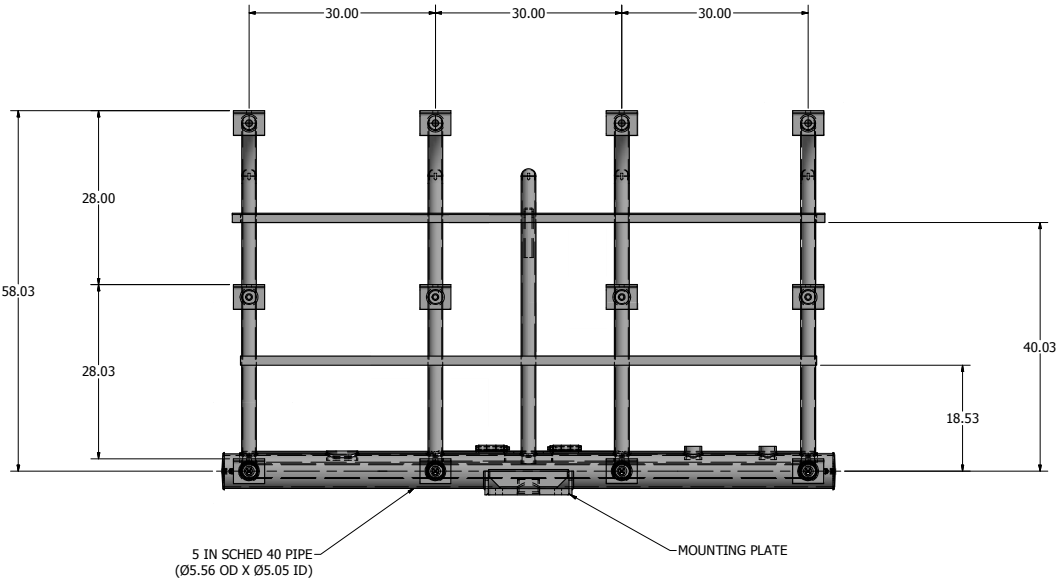
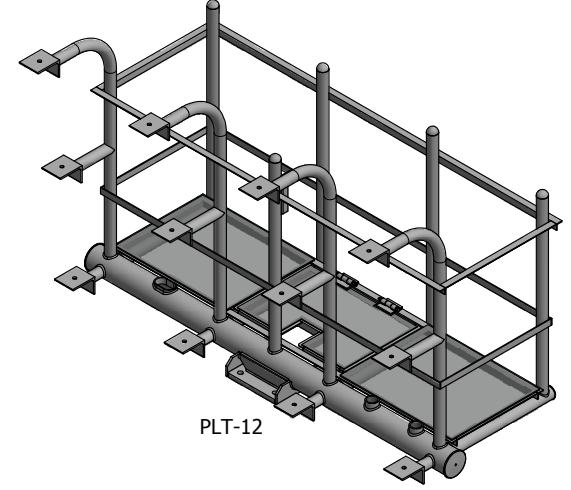


8 | 7 | 6 | 5 | 4 | 3 | 2 | 1



DRILLED PER FIXTURE REQUIREMENTS

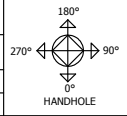


FINISH: CAGE SHALL HAVE A HOT DIPPED GALVANIZED FINISH PER ASTM A 123 SPECIFICATIONS.

lyte poles
a DWR company

P.O. Box 340
Eastpointe, MI 48021
P: (586) 771-4610 | F: (586) 771-5527
www.lytepoles.com

DRAWN: M. HARVALA	3/25/2015	<p>SOME GEOGRAPHICAL AREAS HAVE SPECIAL WIND CONDITIONS THAT CAN CREATE WIND INDUCED VIBRATIONS CAUSING A FATIGUE PROBLEM. NO METHOD HAS YET BEEN FOUND FOR PREDICTING DESTRUCTIVE LIGHTING POLE VIBRATION. THESE CONDITIONS ARE UNIQUE AND CANNOT BE GUARANTEED AGAINST, AND ARE THE RESPONSIBILITY OF A LOCAL SITE ENGINEER.</p>
CHECKED		
REVISION:	DATE:	
APPROVED:		
QUOTE:		
S.O.#		
REF:	SCALE: NONE	
DWG NO: PLT-12		
SIZE D	SHEET 1 OF 1	



8 | 7 | 6 | 5 | 4 | 3 | 2 | 1